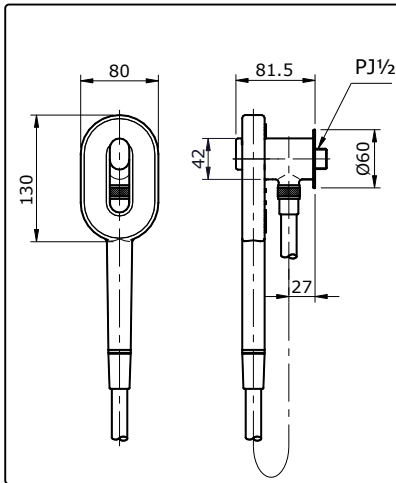


### SPECIFICATIONS



### OPERATING CONDITIONS

1. Water supply pressure : 0.05 ~ 0.75 MPa.
2. Ensure that water supply is clean ( No Sand, Dirt, Etc.).

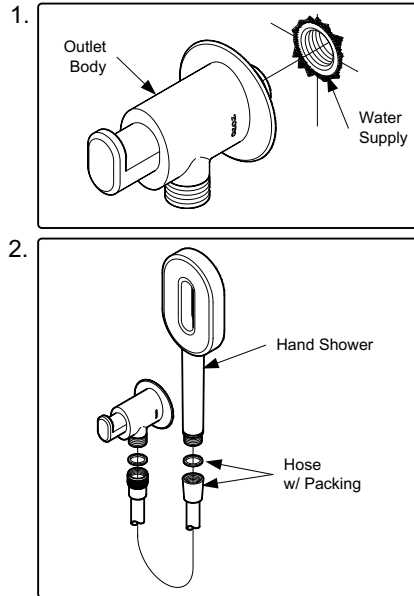
### MAINTENANCE

Always wipe chrome plated area with dry soft cloth, and sometimes wipe it with cloth soaked in mild soap.

### ATTENTION

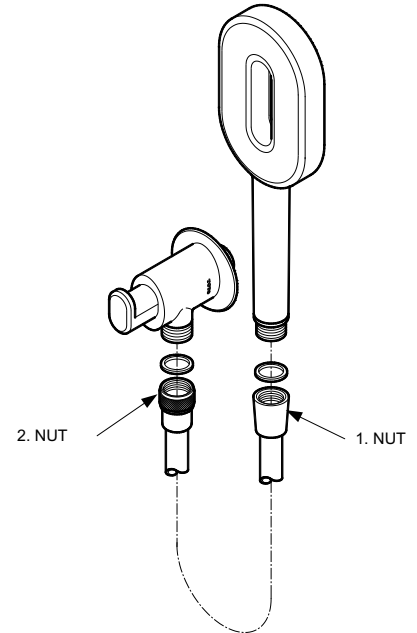
Use of abrasive cleaning material such as; detergents containing hydrochloric acids, thinner, polishing powder, and nylon brush is not recommended.

### INSTALLATION



### TROUBLESHOOTING

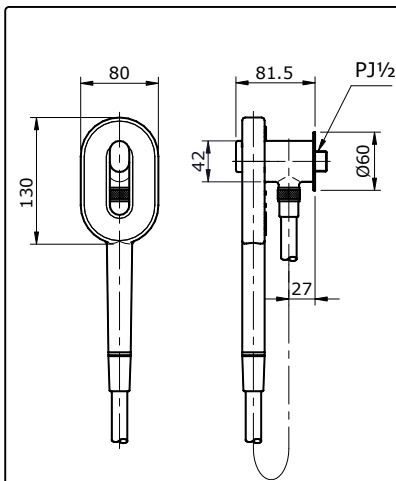
PROBLEM	CHECK POINT	SOLUTION
Water leaks around the hose	1, 2	Tighten



S060070R

R1

### SPECIFICATIONS



### OPERATING CONDITIONS

1. Water supply pressure : 0.05 ~ 0.75 MPa.
2. Ensure that water supply is clean ( No Sand, Dirt, Etc.).

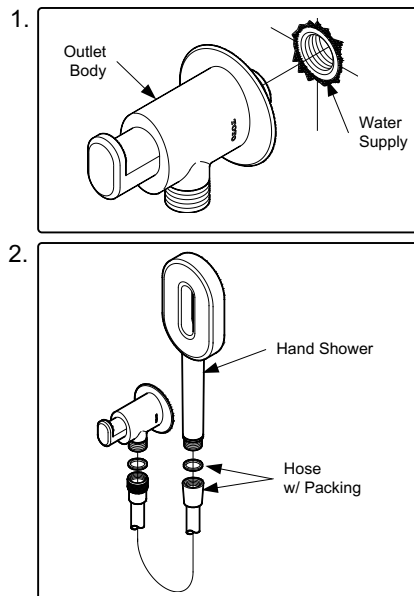
### MAINTENANCE

Always wipe chrome plated area with dry soft cloth, and sometimes wipe it with cloth soaked in mild soap.

### ATTENTION

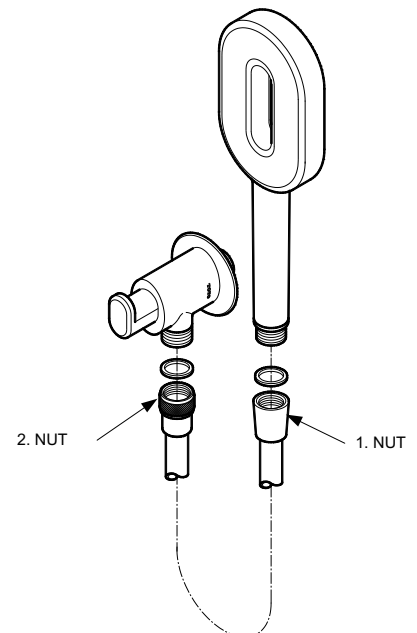
Use of abrasive cleaning material such as; detergents containing hydrochloric acids, thinner, polishing powder, and nylon brush is not recommended.

### INSTALLATION



### TROUBLESHOOTING

PROBLEM	CHECK POINT	SOLUTION
Water leaks around the hose	1, 2	Tighten



S060070R

R1