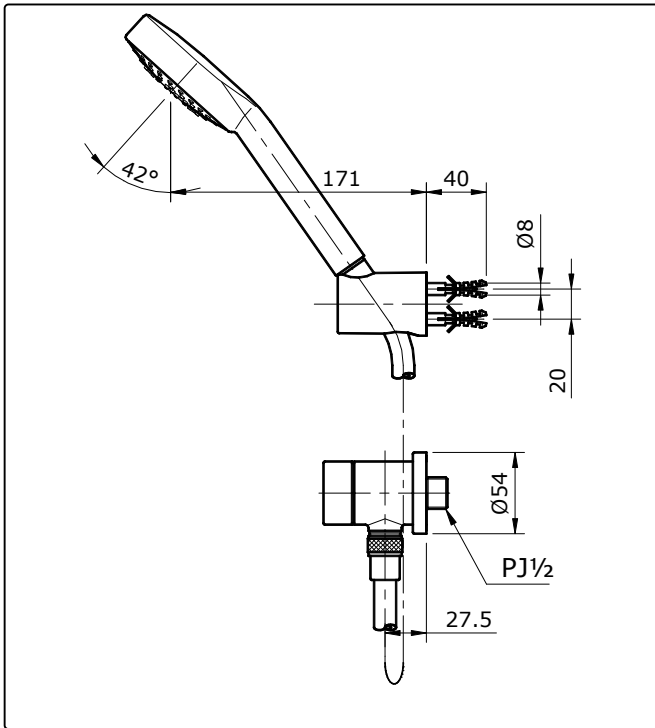


SPECIFICATIONS



OPERATING CONDITIONS

1. Water supply pressure : 0.05 ~ 0.75 MPa.
2. Ensure that water supply is clean (No Sand, Dirt, Etc.).

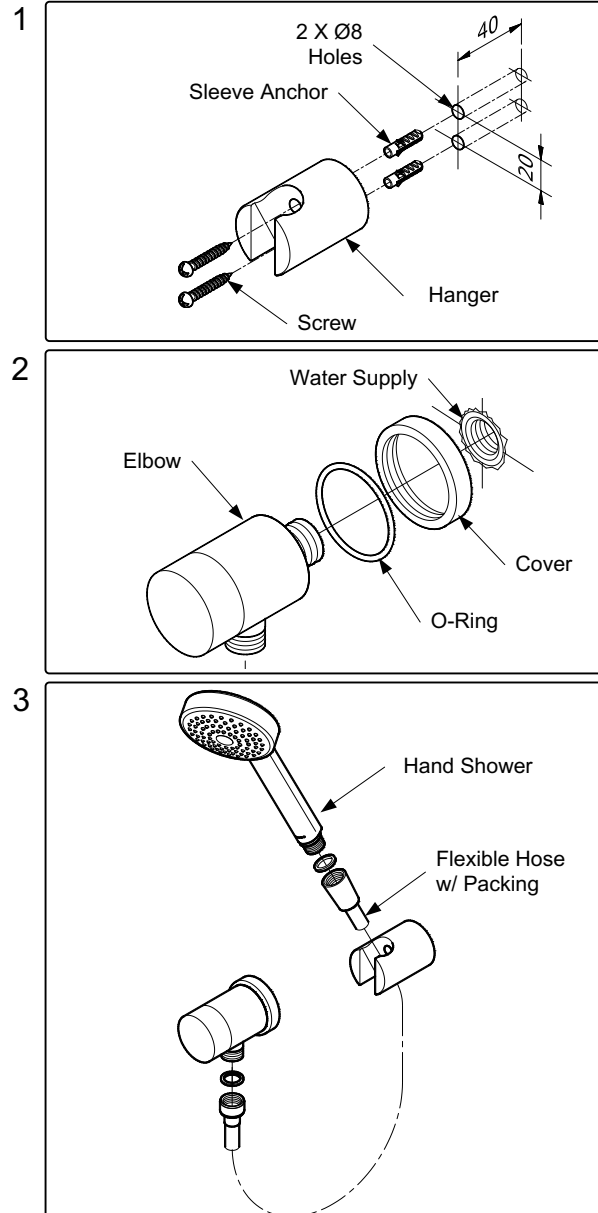
MAINTENANCE

Always wipe chrome plated area with dry soft cloth, and sometimes wipe it with cloth soaked in mild soap.

ATTENTION

Use of abrasive cleaning material such as; detergents containing hydrochloric acids, thinner, polishing powder, and nylon brush is not recommended.

INSTALLATION



TROUBLESHOOTING

PROBLEM	CHECK POINT	SOLUTION
Water leaks around the hose	1, 2	Tighten

